

QUICKSILVER® ACTIV

505 CABIN



SPECIFICATIONS

• Length Overall (M)	5.41	• CE Design Category	C
• Length of hull (M)	4.81	• Maximum Number of People	5
• Beam Maximum (M)	2.12	• Maximum Power (HP / KW)	100/73,6
• Height - Without Canvas (M)	1.64	• OB Shaft Length	L
• Dry Weight (Kg)	613	• Deadrise (deg)	13
• Fuel Capacity (L)	50	• Max. Load (People, Gear, Engine) (kg)	555

EQUIPMENT

Standard Equipment

- Bow Roller
- Swim Ladder
- Navigation Lights
- Forward line/anchor Locker
- Self Bailing Cockpit
- Rod holders
- Analog Speedometer/Tachometer
- Trim Gauge
- 12v electrical socket
- Pilot Seat with Flip Bolster and Swivel
- Storage below Aft Seat
- Aft Bench Seat
- Cockpit Table
- Cockpit Cushions
- CO monitor
- Fire extinguisher
- Mechanical Steering

- 2 Berths
- Single Battery System
- Electric Bilge Pump
- OB Pre-Rigging

Optional Equipment

- Swim Platform Extensions
- Hull Color
- SmartCraft Speedometer/Tachometer
- Active Trim
- Simrad GPS/Chart Plotter GO5
- Co-pilot Seat
- Cockpit sun lounge
- Back bench filler with Cushion
- Berth Cushions/Filler
- Mooring Cover
- Mooring Kit
- Bimini with Enclosed Canvas

MERCURY ENGINE OFFERING

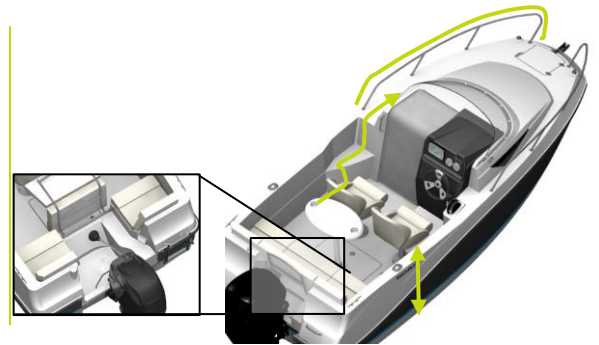
F60 - F60 CT - F80 - F100 - F100 CT

The new Activ 505 Cabin offers one of the best all-round boating and navigation experiences in its class, integrating a stylish new design and packed with improved new features that guarantee a new level of safety and pleasure for a day on the water.

UNCOMPROMISED SAFETY

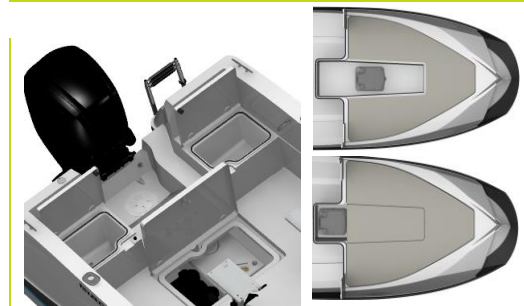
- Easy and safe transom access via integrated step
- Excellent anti-slip deck surfaces
- Deep, well-protected cockpit
- Guardrail protection on foredeck
- Safe walking access to foredeck
- Reliable handling with up to 100 horsepower

FEATURES & BENEFITS



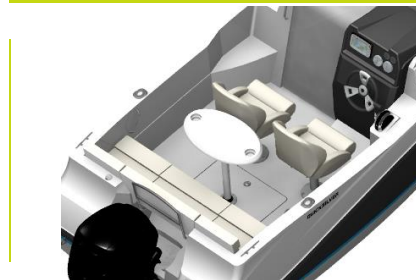
CRUISING COMFORT

- Overnight accommodation facilities designed for two
- Ample lighting in cabin from two well-placed portlights
- Dedicated storage space for a chemical toilet
- Plenty of storage space foreseen throughout the boat
- Lockable acrylic sliding cabin entry door that allows light into the cabin



VERSATILITY ABOARD

- Seating for up to 5 people in cockpit
- Cockpit is convertible for dining with up to 3 people
- Cockpit area can be converted to sun lounge



LEADING FEATURES

- | | |
|--|---|
| 1. Swim ladder | 9. Pilot bucket seat |
| 2. Bench seating flips up to allow boat access via the stern | 10. Optional co-pilot bucket seat |
| 3. Integrated step for boarding access | 11. Ergonomic helm |
| 4. Bench seat for 3 people | 12. Lockable acrylic sliding cabin entry door |
| 5. Cockpit table for dining | 13. Cabin with double berth |
| 6. Cockpit sun lounge extension (optional) | 14. Safe access via the bow |
| 7. Storage under cockpit seating | 15. Anchor locker |
| 8. High freeboard for children's safety | |

